

Item	Description	HP Part No.
1	Proportional Control Valve Replacement Kit ¹	19245-60890
	· Proportional Control Valve	19245-60950
	· EPC Bracket	19245-00077
	· FID Air Restrictor	19231-60610
	· M12 x Swg. Fitting	19243-20680
	· 0.239-in id O-ring	0905-1014
2	Purge Regulator Kit (Approx. 14 ml)	19245-60532
	· Purge Regulator (with internal restriction)	19245-60535
	· Vent Tube Weldment	19244-80580
3	FPR ² /EPC Bracket	19245-00077
4	EPC Sensor PCB Assembly	
	0-100 psi (2 Channel)	19245-60020
	0-100 psi (6 Channel)	19245-60025
	0-15 psi (6 Channel)	19245-60050
5	Vent Torque Plate	19244-00030
6	Ungreased O-Ring	0905-1039
	12/pk	5180-4181
7	Vent Tube Weldment (without restriction)	19244-80580
8	Hex Nut with lockwasher	0535-0043
9	Hex Nut	2950-0203
10	M12 x Swg. Fitting	19243-20680
11	PPIP Transducer Weldment	19243-80600
12	Sealing Plate	19245-00140
13	Screw, M4 x 0, 7 x 8	0515-0910
14	EPC Valve Seal Brazement, FPR	19245-80600
NOT SHOWN:		
	EPC Cable	19245-60700
	PCOC EPC Label Plate	19245-90825

¹Kit replacement necessary on early production instruments

²FPR— Forward Pressure Regulator

Figure 4. EPC Programmable Cool On-Column Inlet Flow Module (Sheet 1 of 2).

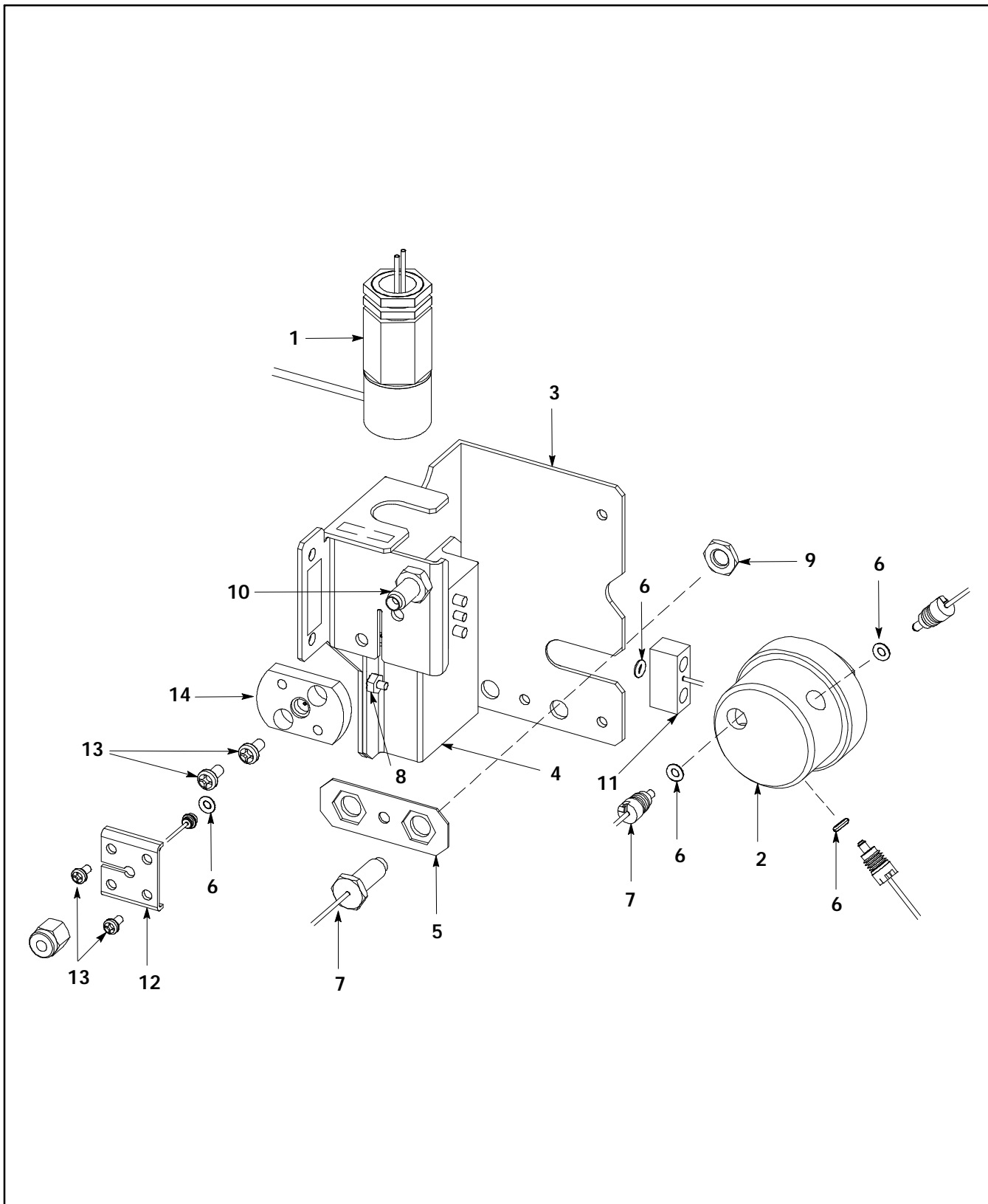


Figure 4. EPC Programmable Cool On-Column Inlet Flow Module (Sheet 2 of 2).